

**M12 male 0° / M12 female 0° shielded Ethernet**

TPE 22AWG SF/UTP CAT5e gn UL/CSA, ITC/PLTC 10m

Ethernet CAT5

Further cable lengths on request.

Male straight – female straight

M12 – M12, 4-pole

D-coded

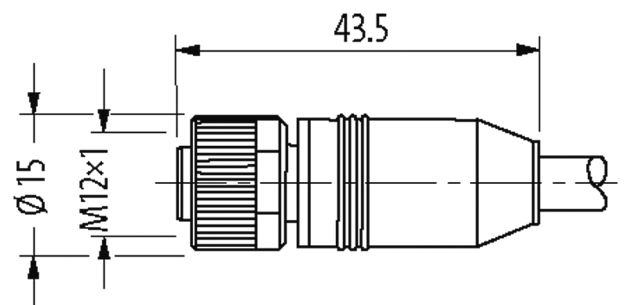
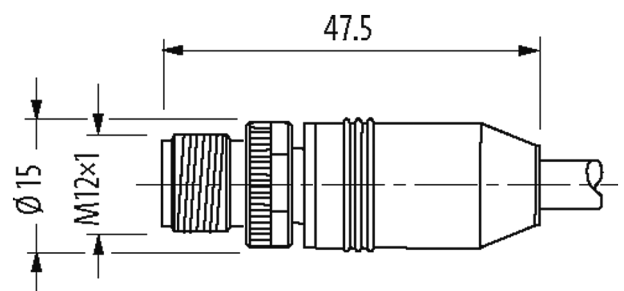
shielded

USA

Transmission properties with channel transmission up to 100 m

Plastic housings with good resistance against chemicals and oils.

The resistance to aggressive media should be individually tested for your application. Further details on request.

[Link to Product](#)**Illustration**

Product may differ from Image

**Approvals**

\* only for products with UL/CSA approved cable

**More Info**



EtherNet/IP

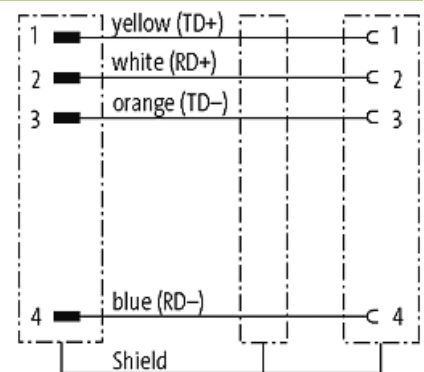
| Form                               |  |
|------------------------------------|--|
| Form                               | 44571  |
| General data                       |  |
| Standards                          | DIN EN 61076-2-101 (M12)   |
| Mounting method                    | inserted, tightened  |
| Temperature range                  | -25...+85 °C, depending on cable quality                         |
| Cables                             |  |
| Cable number                       | S7V  |
| No./diameter of wires              | 2x 2x 0.34 mm <sup>2</sup>                                       |
| Wire isolation                     | HDPE (wh, ye, bl, or)  |
| C-track properties                 | 1 Mio.   |
| Jacket Color                       | green  |
| Material (jacket)                  | TPE (UL)   |
| Outer Ø                            | 7.9 mm ±5%   |
| Bend radius (moving)               | 10x outer Ø  |
| Temperature range (fixed)          | -40...+80 °C   |
| Temperature range (mobile)         | -20...+80 °C   |
| Cable identification               | S7V  |
| Cable weight [g/m]                 | 74,80  |
| Material (wire)                    | Cu wire, tin plated  |
| Construction (core)                | 19x 0.16 mm (multi-strand wire class 5)                          |
| Diameter (core)                    | 2x 2x 0.34 mm <sup>2</sup>                                       |
| Material (wire isolation)          | HDPE   |
| Wire-Ø incl. isolation             | 1.42 mm ±5%  |
| Shield                             | yes  |
| Material (jacket)                  | TPE  |
| Outer-Ø (jacket)                   | 7.9 mm ±5%   |
| Color (jacket)                     | green  |
| Bend radius (fixed)                | 5x outer Ø   |
| Torsion stress                     | 3 Mio.   |
| Technical Data                     |  |
| Operating voltage                  | max. 60 V DC   |
| Operating voltage (only UL listed) | 30 V DC  |
| Rated surge voltage                | 1.5 kV   |
| Operating current per contact      | max. 4 A   |
| Material group                     | IEC 60664-1, category I  |
| No. of poles                       | 4  |
| Configuration                      | fully used   |
| Transfer parameters                | CAT5, Class D (ISO/IEC 11801:2002), (EN 50173-1)                 |
| Transfer rate                      | up to 100 Mbit/s full duplex                                     |
| Coding                             | D-coded  |
| LED display                        | no   |
| Locking of ports                   | Screw thread (M12x1 mm) recommended torque 0.6 Nm, self-securing |

|   |   |
|---|---|
| Compression gland                         | M12 (SW13)  |
| Protection                                | IP65, IP66K, IP67 inserted and tightened (EN 60529) |
| Locking material                          | Zinc die casting, matte nickel plated               |
| Material                                  | PUR   |
| suitable for corrugated tube (internal Ø) | without   |

#### Commercial data

|                       |               |
|-----------------------|---------------|
| country of origin     | DE            |
| customs tariff number | 85444290      |
| EAN                   | 4048879603973 |
| eClass                | 27061801      |
| Packaging unit        | 1             |

#### Sketch



Male

Female



Product may differ from Image